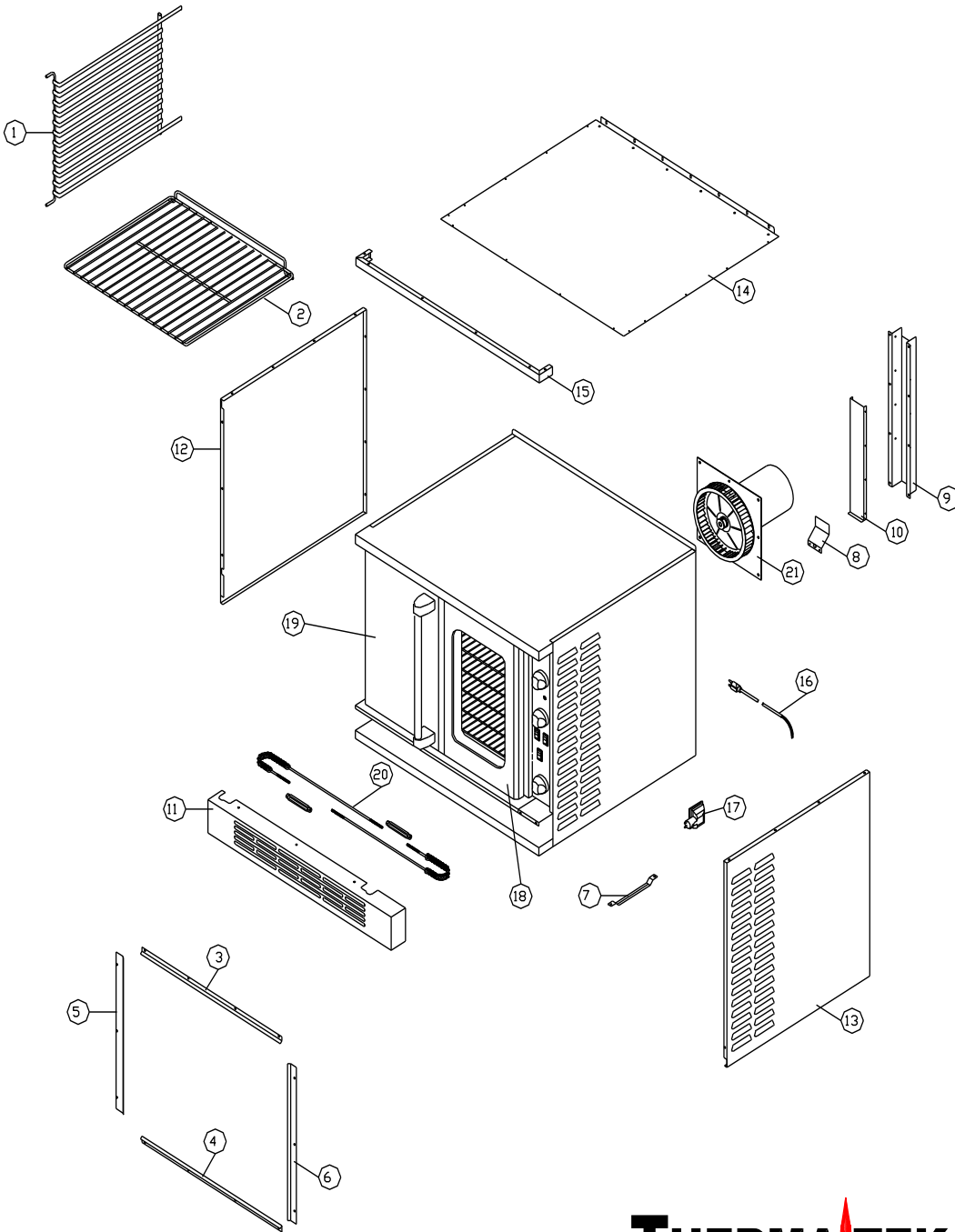


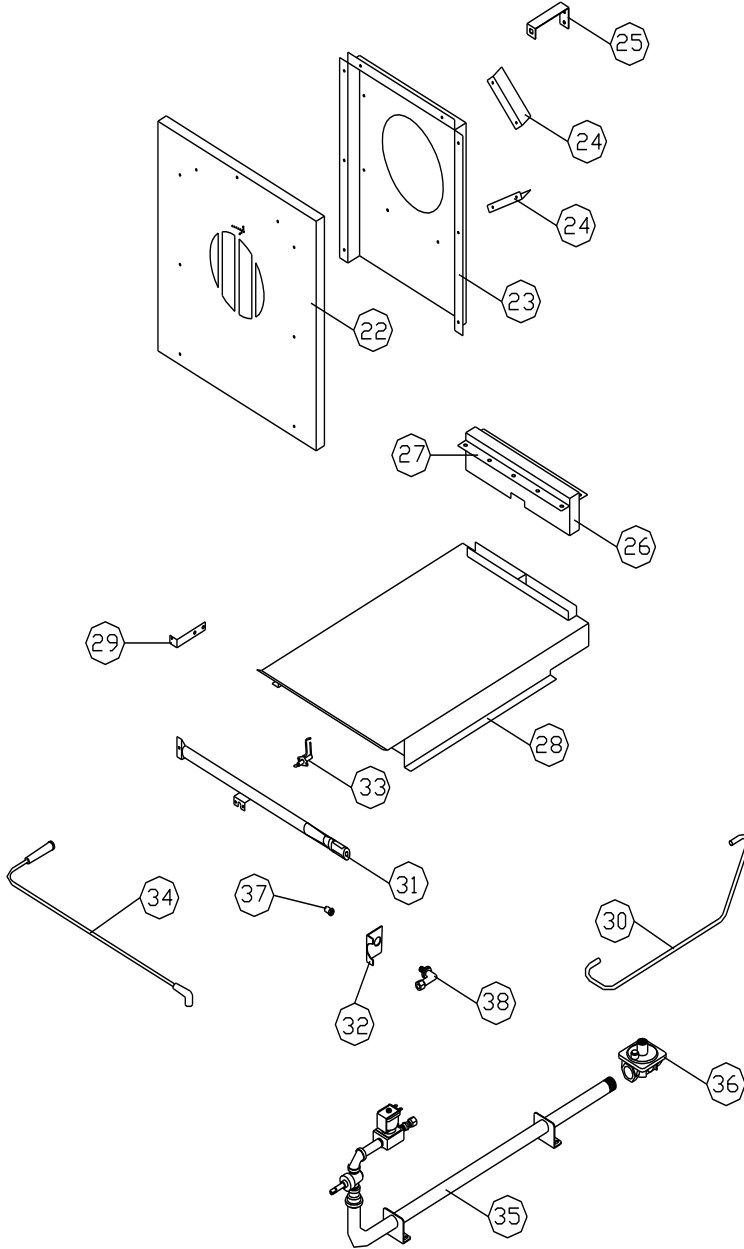
**MGFCO PARTS BREAKDOWN
DOUBLE DOOR FULL SIZE CO**



MGFCO

Item #	Part No.	Description	List Price
1	80126	Oven Side Rack	\$ 174.56
2	80127	Oven Rack	\$ 144.80
3	31002-01	Door Seal Top	\$ 29.77
4	31003-01	Door Seal Bottom	\$ 37.49
5	31000-01	Door Seal Left	\$ 39.84
6	31001-01	Door Seal Right	\$ 39.84
7	30508	Rbco Bulb Bracket	\$ 7.72
8	30987	Burner Box Flue	\$ 4.48
9	30985	Flue Box Outer	\$ 23.15
10	30986	Flue Box Inner	\$ 11.83
11	30913	Combustion Cover	\$ 89.67
12	30878	Body Side Left	\$ 115.40
13	30895	Body Side Right	\$ 123.99
14	30877	Main Top	\$ 86.00
15	30991	Top Front Trim	\$ 25.80
16	80056	Line Cord	\$ 29.77
17	80076	Lights CO	\$ 56.23
18	31021	Double Door Assy w/ Window	\$ 565.58
19	31021-01	Double Door Assy wo/ Window	\$ 545.15
20	80129	Chain Assembly	\$ 150.68
21	31026	Motor Assembly	\$1550.56
	80067	Motor Only	\$1375.41

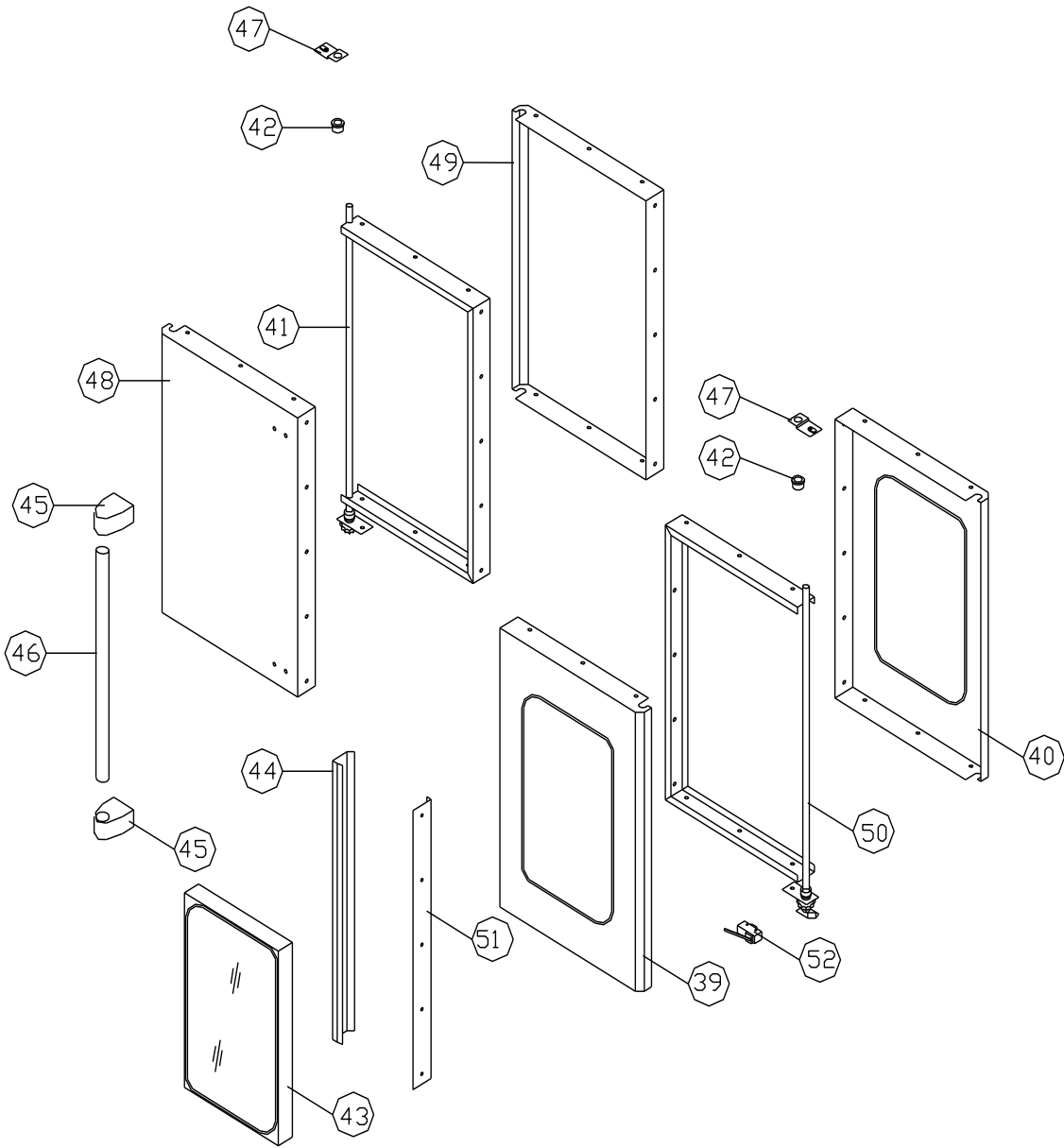
MGFCO PARTS BREAKDOWN
DOUBLE DOOR FULL SIZE CO



MGFCO

Item #	Part No.	Description	List Price
22	30914	Air Baffle Back Plate	\$ 93.42
23	30915	Air Baffle Pocket	\$ 61.52
24	30981	Air Baffle Diverter Bracket	\$ 4.26
25	30894	Air Baffle Bracket	\$ 8.97
26	30920	Burner Box Flue	\$ 10.22
27	30921	Burner Box Bracket	\$ 6.76
28	30853	Burner Box Assembly	\$ 145.75
29	30999	Burner Bracket	\$ 3.97
30	90066	Tubing From Orifice to Solenoid	\$ 5.44
31	82052	FSCO Tube Burner (NAT)	\$ 71.66
	82309	FSCO Tube Burner (LP)	\$ 110.62
32	30990	Orifice Bracket	\$ 4.48
33	80070-03	Electrode	\$ 38.66
34	80071-03	Electrode Wire 32"	\$ 77.40
35	31029	Manifold Assy (MGFCO)	\$ 283.49
36	80026-01	Regulator 5" NAT	\$ 35.65
	80026-02	Regulator 10" LP	\$ 35.65
37	81022-28	Orifice Nat #28	\$ 2.43
	81022-44	Orifice Lp #44	\$ 2.43
38	81016-01	Orifice Elbow 3/8CC X 3/4-16	\$ 13.38

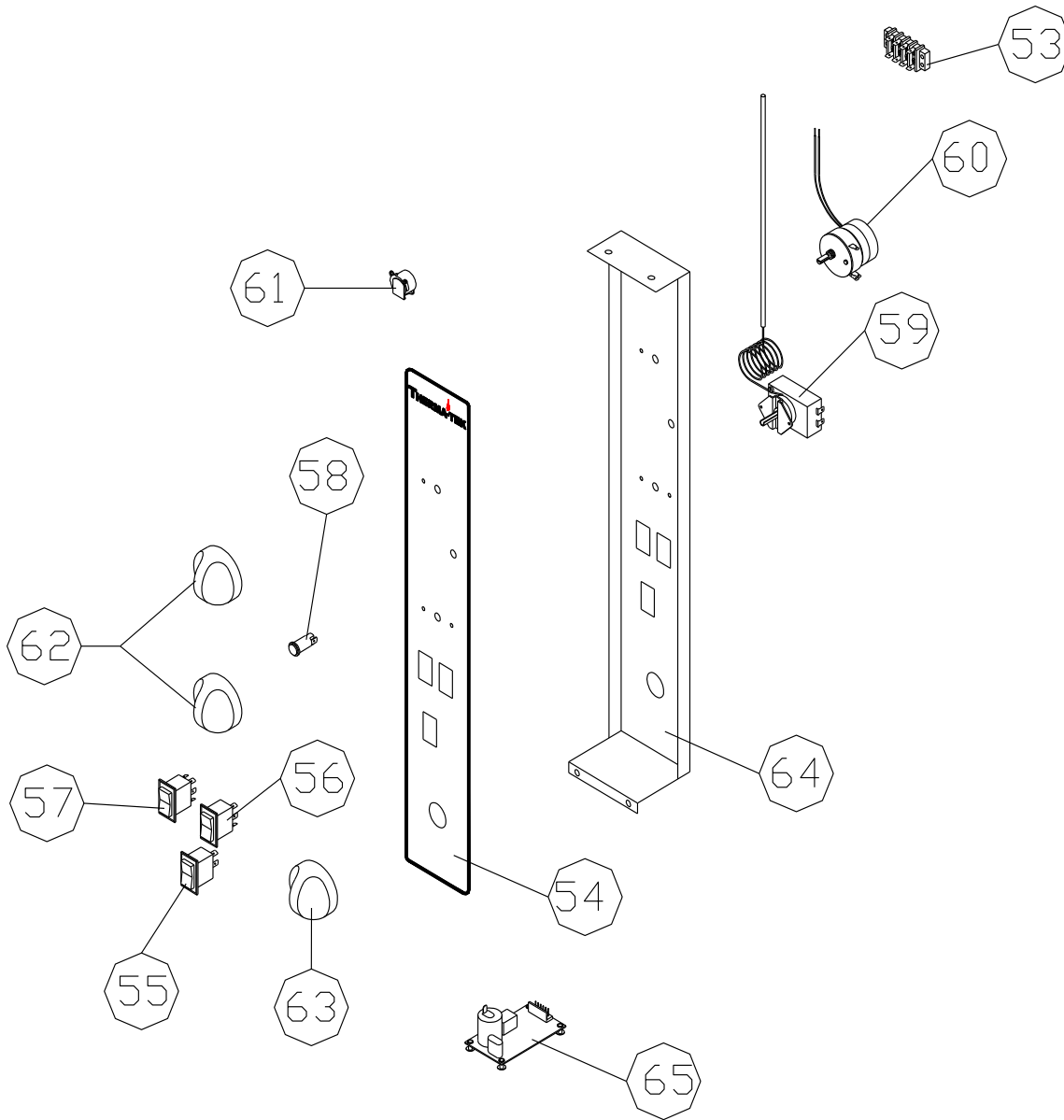
**MGFCO PARTS BREAKDOWN
DOUBLE DOOR FULL SIZE CO**



MGFCO

Item #	Part No.	Description	List Price
39	30899	Door Panel CO w/ Window	\$ 74.01
40	30900	Door Panel Liner w/Window	\$ 73.43
41	31022	Left Door Frame Weld Assy.	\$ 138.77
42	80074	Door Bushing	\$ 15.14
43	80072	Window CO	\$ 94.96
44	31005-01	Left Center Door Catch	\$ 79.38
45	82004-01	Door Handle End	\$ 31.24
46	30231-02	Oven Door Handle 24"	\$ 23.08
47	30902-02	Top Holddown Door Bushing	\$ 8.45
48	30899-03	Door Panel CO wo/Window	\$ 69.97
49	30900-01	Door Liner CO wo/Window	\$ 69.53
50	31023	Right Door Frame Weld Assy.	\$ 143.47
51	31006-01	Right Center Door Catch	\$ 41.90

**MGFCO PARTS BREAKDOWN
DOUBLE DOOR FULL SIZE CO**



MGFCO

Item #	Part No. Description	List Price
53	80057 Terminal Strip/Block	\$ 29.40
54	80053-02 Control Panel Overlay-Mech.	\$ 97.53
55	80063-01 Rocker Switch SPST (2 Term.)	\$ 59.46
56	80063-02 Rocker Switch SPDT (3 Term.)	\$ 61.52
57	80063-03 Rocker Switch DPDT (6 Term.)	\$ 50.64
58	80064 Indicator Light	\$ 17.64
59	80060 Mechanical Thermostat	\$ 137.52
60	80059-01 Timer 1 HR	\$ 145.38
61	80065 Buzzer 115V	\$ 37.63
62	80000-02 Thermostat Knob (Black)	\$ 7.86
	80000-06 Thermostat Knob (Burgundy)	\$ 7.86
63	80000 Knob Plastic (Black)	\$ 7.86
	80000-03 Knob Plastic (Burgundy)	\$ 7.86
64	30912 Control Panel GM	\$ 36.97
65	80068 Ignition Module	\$ 289.08
Not shown	72005 MGFCO Wire Harness	\$ 206.78

ALL MGFCO GAS CONVERSION KIT \$ 250.00

PLEASE USE EXACT MODEL NUMBER AND STATE
NAT TO LP OR LP TO NAT WHEN ORDERING