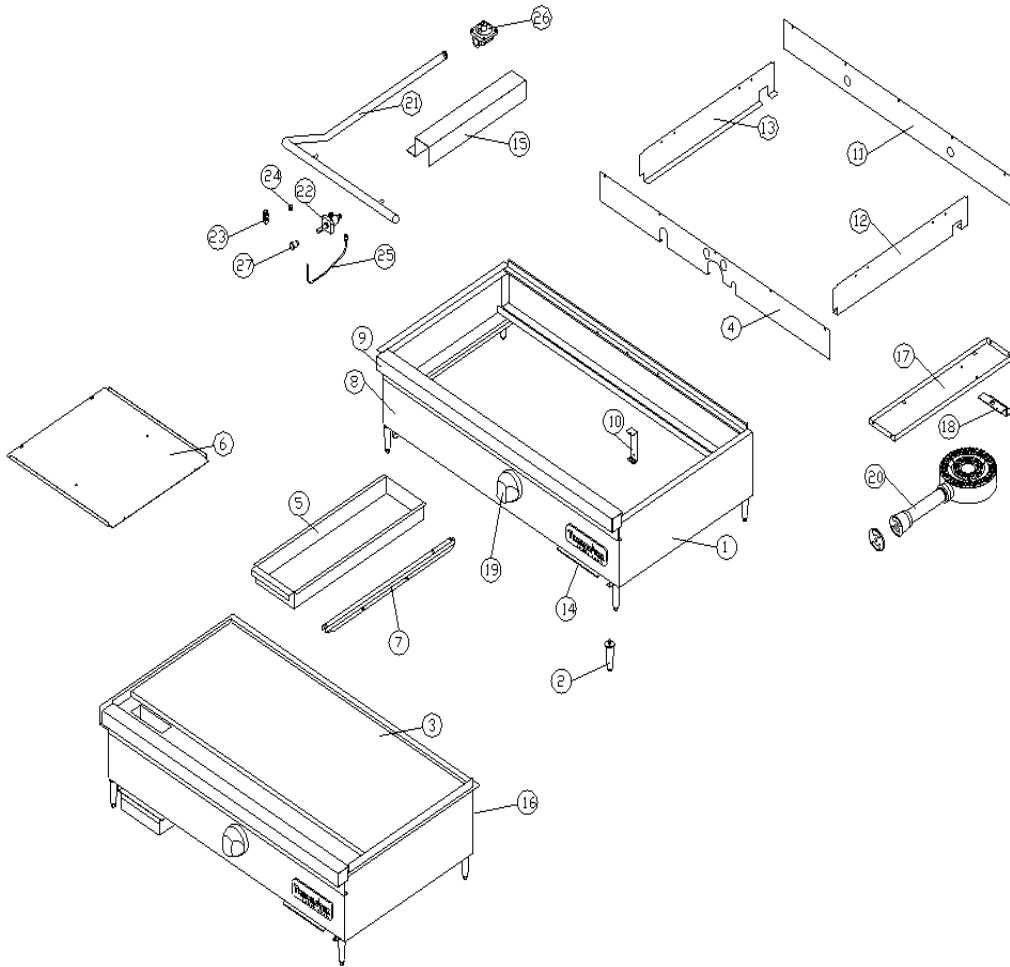


effective 01/01/2017

### Teppan Yaki Griddle



### Teppan Yaki Griddle

Item #	Part No.	Description	List Price
1	30833-03	Body W/A TCTYG48	\$ 347.58
	30833-04	Body W/A TCTYG60	\$ 375.00
2	80034	4" Leg	\$ 23.89
3	30834-03	Griddle W/A 48" TCTYG48	\$1503.59
	30834-04	Griddle W/A 60" TCTYG60	\$4141.21
4	30831-03	Burner Shield 60 (Teppan Y)	\$ 27.42
	30831-04	Burner Shield 48 (Teppan Y)	\$ 31.68
5	30838	Grid Bucket (Teppan Yaki)	\$ 50.79
6	30860	48" Bottom Pan Teppan Yaki	\$ 32.78
	30860-01	60" Bottom Pan Teppan Yaki	\$ 39.84

<b>Item #</b>	<b>Part No. Description</b>	<b>List Price</b>
7	30194 Drip Tray Slide (Counter Series)	\$ 10.14
8	30861-03 Front Panel 48" Teppan Yaki	\$ 68.80
	30861-04 Front Panel 60" Teppan Yaki	\$ 93.93
9	30863-03 Front Rail W/A 48" Teppan Yaki	\$ 52.41
	30863-04 Front Rail W/A 60" Teppan Yaki	\$ 59.98
10	30856 Teppan Yaki Cntr Support	\$ 8.23
11	30855 48 Rear Insul Retainer	\$ 21.61
	30855-01 60 Rear Insul Retainer	\$ 26.31
12	30854-01 Side Insulation Retainer RH	\$ 18.74
13	30854-02 Side Insulation Retainer LH	\$ 18.74
14	30841 Rating Plate Brkt Teppan Yaki	\$ 5.81
15	30857 Manifold Shield Teppan Yaki	\$ 21.90
16	30820-03 Back Panel 48 (Teppan Yaki)	\$ 29.03
	30820-04 Back Panel 60 (Teppan Yaki)	\$ 33.66
17	30823 Burner Tray 48" (Teppan Yaki)	\$ 23.89
18	30824 Burner Support Brkt (Teppan Yaki)	\$ 5.51
19	80000 Knob Plastic (Commercial)	\$ 7.86
20	30835 Ring Burner Assy (Teppan Yaki)	\$ 218.52
21	81021-04 Manifold Pipe 48"	\$ 185.22
	81021-05 Manifold Pipe 60"	\$ 204.04
22	80030-01 Manual Gas Valve	\$ 21.61
23	81018 Pilot Adjust Valve	\$ 9.70
24	81003-01 1/8 NPT Pipe Plug	\$ 2.65
25	90038-16 Pilot Tip Assy 3/16 x 16.5 LG	\$ 17.57
26	80026-02 Regulator 10" LP	\$ 35.65
	80026-01 Regulator 5" NAT	\$ 35.65
27	81022-52 Orifice #52	\$ 2.43
	81022-39 Orifice #39	\$ 2.43

TEPPAN YAKI GAS CONVERSION KIT \$ 120.00

PLEASE USE EXACT MODEL NUMBER AND STATE  
NAT TO LP OR LP TO NAT WHEN ORDERING