



DIRECT STEAM COUNTER TILTING KETTLE



SPECIFICATIONS:

Shall be a Therma-Tek Model _____ direct connected, steam, counter top tilting kettle. A double wall kettle interior shall form a steam jacket around the lower 2/3 of the kettle. The bottom of the kettle shall be of hemispheric design for superior heat transfer.

The tubular stainless steel mounting legs shall have the steam supply and condensate return pipes completely concealed within the leg members. The sealed stainless steel tilt mechanism bearings shall permit the kettle to tilt forward 90° for complete emptying. A removable operating handle with heat-proof knob shall be mounted on the left or right. All models shall have a single support leg with nylon insert. Construction shall be all welded satin finish stainless steel, type 304. Standard features include type 316 stainless steel liner for use with high acid content products.

| Model | Capacities | |
|---------|------------|--------|
| | Gallons | Liters |
| TTDC-6 | 6 | 19 |
| TTDC-10 | 10 | 38 |
| TTDC-12 | 12 | 46 |
| TTDC-20 | 20 | 76 |

OPERATION SHALL BE BY:

Direct steam at a minimum of 5 psi (34 kPa) and a maximum of 50 psi (345 kPa).

STANDARD FEATURES:

- ✓ Reversible tilt handle.
- ✓ Type 316 stainless steel liner.
- ✓ Steam control valve.

OPTIONS AT EXTRA COST:

- Etched gallon markings (GM-).
- Etched liter markings (LM-).
- 21" high floor stand with sliding shelf (S-24).
- 21" high floor stand with sliding shelf (S-30).
- 25" high floor stand with sliding drain pan (SD-30S).

ACCESSORIES:

- One piece lift off stainless steel cover (C-).
- Stainless steel perforated basket (SSB-).
- Steam control assembly (STA-3) consisting of line strainer, steam trap and safety valve.
- Pour lip strainer (TKS-).

HEAVY DUTY STEAM



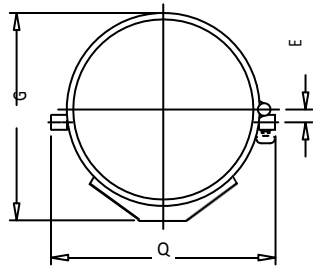
SERVICE CONNECTIONS

- STEAM SUPPLY: 1/2"IPS
- CONDENSATE RETURN: 1/2"IPS

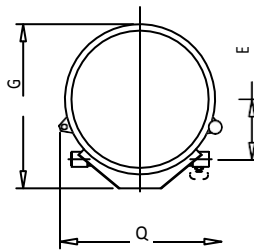
DIMENSIONS

| MODEL | CAPACITY | UNITS | A | B | C | D | E | F | G | H | J | K | L | M | N | O | P | Q |
|---------|------------|--------|-----|------|------|-------|-----|------|-------|-------|-------|-------|-------|------|-------|-------|-----|-------|
| TTDC-6 | 6 gallons | inches | 12 | 14.5 | 19.5 | 13.75 | 5 | 7.5 | 15.12 | 8.5 | 12.25 | 10.38 | 30.25 | 4 | 4.38 | 34.12 | 0 | 16 |
| | 23 liters | mm | 305 | 368 | 495 | 349 | 127 | 191 | 384 | 216 | 311 | 264 | 768 | 102 | 111 | 867 | 0 | 406 |
| TTDC-10 | 10 gallons | inches | 16 | 15 | 18.5 | 13.75 | 7 | 7.75 | 19.12 | 9 | 16.25 | 8.88 | 32.25 | 2.38 | 4.88 | 33.12 | 0 | 19.25 |
| | 38 liters | mm | 406 | 381 | 470 | 349 | 178 | 197 | 486 | 229 | 413 | 225 | 819 | 60 | 124 | 841 | 0 | 489 |
| TTDC-12 | 12 gallons | inches | 16 | 17 | 20.5 | 13.75 | 7 | 7.75 | 19.12 | 9 | 16.25 | 10.88 | 39.5 | 2.38 | 4.88 | 35.12 | 0 | 19.25 |
| | 46 liters | mm | 406 | 432 | 521 | 349 | 178 | 197 | 486 | 229 | 413 | 276 | 1003 | 60 | 124 | 892 | 0 | 489 |
| TTDC-20 | 20 gallons | inches | 21 | 18 | 26.5 | 23.5 | 1.5 | 6.25 | 24.12 | 15.25 | 15.75 | 10.5 | 40.5 | 7.5 | 11.12 | 42.38 | 1.5 | 26 |
| | 76 liters | mm | 533 | 457 | 673 | 597 | 38 | 159 | 613 | 387 | 400 | 267 | 1029 | 191 | 283 | 1076 | 38 | 660 |

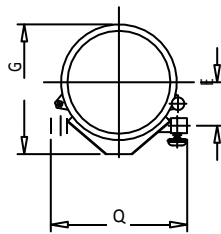
| MODEL | SHIPPING WT. | MIN. CLEARANCE | |
|---------|-----------------|----------------|----------|
| TTDC-6 | 44 lbs. [20 kg] | SIDES | 1 [25mm] |
| TTDC-10 | 61 lbs. [28 kg] | | |
| TTDC-12 | 70 lbs. [32 kg] | BACK | 3 [76mm] |
| TTDC-20 | 95 lbs. [43 kg] | | |



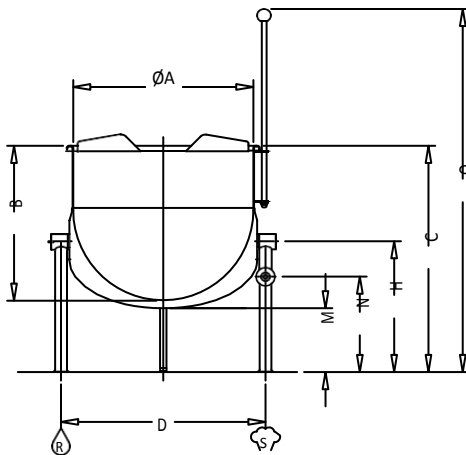
DC-20



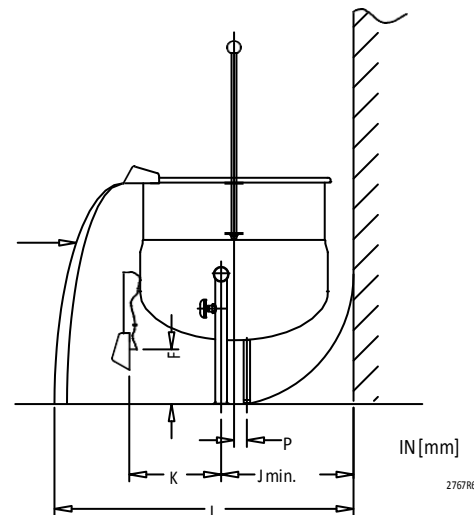
DC-10, DC-12



DC-6



POUR PATH



IN [mm]

2767R6