

## DIRECT STEAM PEDESTAL TILTING KETTLE



### SPECIFICATIONS:

Shall be a Therma-Tek Model \_\_\_\_\_, direct connected, steam, pedestal tilting kettle. A double wall kettle interior shall form a steam jacket around the lower 2/3 of the kettle. The bottom of the kettle shall be of hemispherical design for superior heat circulation. The pedestal base shall have four 7/16" (11 mm) holes evenly spaced for securing to the floor. A sealed tilting mechanism shall permit the kettle to tilt forward a full 90° for complete emptying. The tilting mechanism shall be self locking for positive stop action.

Construction shall be all welded satin finish stainless steel, type 304. The kettle interior on models 20 through 40 gallon shall be stainless steel type 316 for high acid content cooking.

The kettle shall be ASME Code stamped, National Board Registered and NSF certified.

Model	CAPACITY	
TTDPT-20	20 gallon	76 liter
TTDPT-30	30 gallon	114 liter
TTDPT-40	40 gallon	152 liter
TTDPT-60	60 gallon	227 liter
TTDPT-80	80 gallon	303 liter

### OPERATION SHALL BE BY:

Direct steam, at a minimum of 5 psi (34 kPa) and a maximum of 30 psi (207 kPa).

### OPTIONAL ITEMS AT EXTRA COST:

- Type 316 stainless steel liner for high acid content cooking on 60 and 80 gallon models.
- 50 psi (345 kPa) high pressure operation for higher cooking temperature.
- 2" (50 mm) draw-off valve (TVT-2).
- 3" (76 mm) draw-off valve (TVT-3).
- 2" (50 mm) dairy valve (DDO-2T).
- 3" (76 mm) dairy valve (DDO-3T).
- Spring assist cover (CH-).
- Etched gallon markings (GM-).
- Etched litre markings (LM-).
- Correctional package.


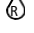
### ACCESSORIES:

- Single pantry faucet with swing spout (SF-18).
- Double pantry faucet with swing spout (DF-18).
- One piece lift off cover (C-).
- Triple basket assembly (TBA-).
- Steam trap assembly (STA-2).
- Perforated strainer for draw-off valve (TPS-).
- Solid disc for draw-off valve (TSS-).
- Strainer hook (SH-).
- Graduated measuring strip (CMS-).
- Pan carrier (PC-1).
- Pour lip strainer (TKS-).
- Draw-off valve hose kit (DVHK-2).

HEAVY DUTY STEAM



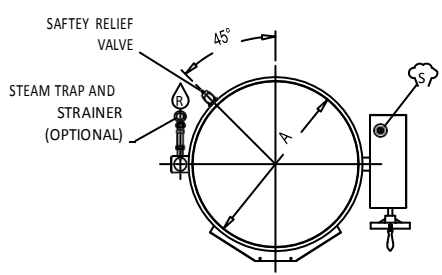
### SERVICE CONNECTIONS

 - STEAM SUPPLY: 3/4"IPS
 - CONDENSATE RETURN: 1/2"IPS

### DIMENSIONS

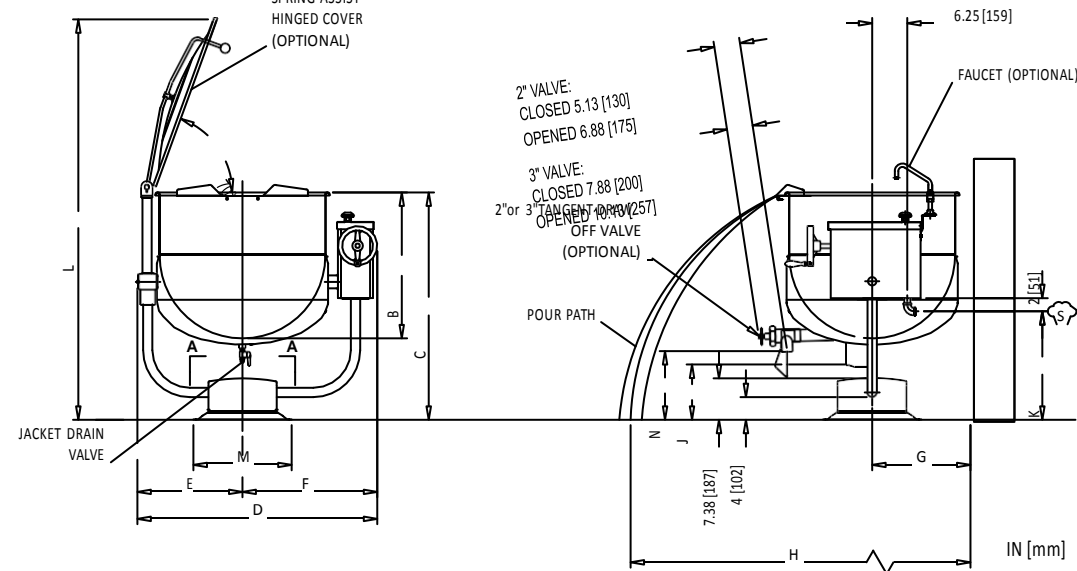
MODEL	CAPACITY	UNITS	A	B	C	D	E	F	G	H	J	K	L	M	N(2")	N(3")
TTDPT- 20	20 gallons	inches	21	18	37	34.75	14.75	20	13.5	41	15.25	20.5	59.5	17.5	16.75	16.25
	76 liters	mm	535	460	940	883	375	508	343	1041	387	521	1512	445	425	413
TTDPT- 30	30 gallons	inches	24	20	37	37.75	16.25	21.5	14	43	13.25	20	62.5	17.5	14.75	14.25
	114 liters	mm	610	510	940	959	413	546	356	1092	337	508	1588	445	375	362
TTDPT- 40	40 gallons	inches	26	22.5	37	39.75	17.25	22.5	15.5	45	10.75	18.5	64	17.5	12.25	11.75
	152 liters	mm	660	570	940	1010	438	572	394	1143	273	470	1626	445	311	298
TTDPT- 60	60 gallons	inches	29.5	26	40.5	43	18.87	24.13	17.5	48	10.25	19.25	74	17.5	14.25	13.75
	227 liters	mm	750	660	1029	1092	479	613	445	1219	260	489	1879	445	362	349
TTDPT- 80	80 gallons	inches	33	28	42.5	46.5	20.63	25.88	19	52	9.75	20.5	76	20.5	12.25	11.75
	303 liters	mm	840	710	1080	1181	524	657	483	1321	248	521	1930	521	311	298

\* Pressure reducing valve is required if incoming pressure exceeds 50 PSI(345 kPa).



MODEL	SHIPPING WT.	MIN. CLEARANCE	
TTDPT-20	230 lbs. [104 kg]	SIDES	0
TTDPT-30	275 lbs. [125 kg]		
TTDPT-40	320 lbs. [145 kg]	BACK	3 [76]
TTDPT-60	350 lbs. [159 kg]		
TTDPT-80	410 lbs. [186 kg]		

**VIEW A-A**



4X Ø7/16 [11] EQ. SPACED  
ON 16.62 [422] B.C. (20 TO 60 GALLONS)  
ON 19.62 [498] B.C. (80 GALLONS)

2" VALVE:  
CLOSED 5.13 [130]  
OPENED 6.88 [175]  
3" VALVE:  
CLOSED 7.88 [200]  
2" or 3" TANGENT OPEN OFF VALVE (OPTIONAL)

IN [mm]