

DIRECT STEAM KETTLES ON ELECTRIC CABINET BASE



Model	CAPACITY	
TTEMT-6-6	2 x 6 gallon	2 x 23 liters

OPERATION SHALL BE BY:

Electrically heated steam boiler operating at 15 psi (103 kPa) and rated at 24 kW.

The boiler shall be equipped for operation on:

- 208 VAC, 3 phase, 50/60 Hz
- 240 VAC, 3 phase, 50/60 Hz

OPTIONAL ITEMS AT EXTRA COST:

- 36 kW
- 42 kW
- 48 kW
- 220 VAC, 1 phase, 50 Hz
- 220 VAC, 3 phase, 50/60 Hz
- 380 VAC, 3 phase, 50/60 Hz
- 415 VAC, 3 phase, 50/60 Hz
- 480 VAC, 3 phase, 50/60 Hz
- 415/240 VAC, 3 phase, 50/60 Hz
- 380/220 VAC, 3 phase, 50/60 Hz
- CSD-1
- Automatic blow down
- Split water lines (boiler feed and condensate)
- Etched gallon markings
- Etched litre markings
- Correctional package

ACCESSORIES:

- One piece stainless steel lift off cover
- Lift-out perforated stainless steel basket
- Graduated measuring strip
- Steam take off kit
- De-lime kit DPA-1 (not available with CSD-1)
- Water in "Y" strainer
- Pour lip strainer

SPECIFICATIONS:

Shall be a Therma-Tek Model TTEMT-6-6, consisting of two direct connected steam, tilting kettles, 6 gallon (23 liters). A double wall kettle interior shall form a steam jacket around the lower 2/3 of the kettle. The bottom of the kettle shall be of hemispherical design for superior heat circulation. The kettle interior shall be of 316 stainless steel for high acid content products. The stainless steel mounting legs shall have the steam supply and condensate within the legs and the right leg fitted with a steam control valve for the kettle. Each kettle shall be fitted with a tilt handle and heat proof knob, allowing the kettles to be tilted forward 90° for complete emptying.

The kettles mounted on a cabinet base with full perimeter angle frame, reinforced counter, hot and cold water faucet with control valves, 5" (152 mm) deep sinks with drain and splash guard, boiler mountings, electric boiler with controls, hinged doors with magnetic catches, removable side panels and 6" (152 mm) stainless steel legs fitted with adjustable bullet feet on front and flanged adjustable feet on rear for securing to the floor, all #4 stainless steel exterior. Steam manifold canceled within cabinet fitted with steam trap and safety relief valve.

HEAVY DUTY STEAM





SERVICE CONNECTIONS

- 🚰 - DRAIN: 2"IPS piped to open floor drain. No Solid Connection.
- 🚰 - COLD WATER: 3/8" O.D. tubing at 25-50 PSI(170-345 kPa).
- 🚰 - HOT WATER: 3/8" O.D. tubing at 25-50 PSI(170-345 kPa).
- 🚰 - STEAM TAKE-OFF CONNECTION: 3/4"IPS optional to operate adjacent equipment.
- ⚡ - Unless otherwise specified, Field Wire Electrical Connection to be 208, 220 or 240 Volts, 3 Phase 60Hz. with grounding wire.

WATER QUALITY STATEMENT

Water quality is the major factor affecting the performance of your appliance. If you are unsure of water quality, consult a local water treatment specialist and have the water analyzed. Your water supply must be within these general guidelines:

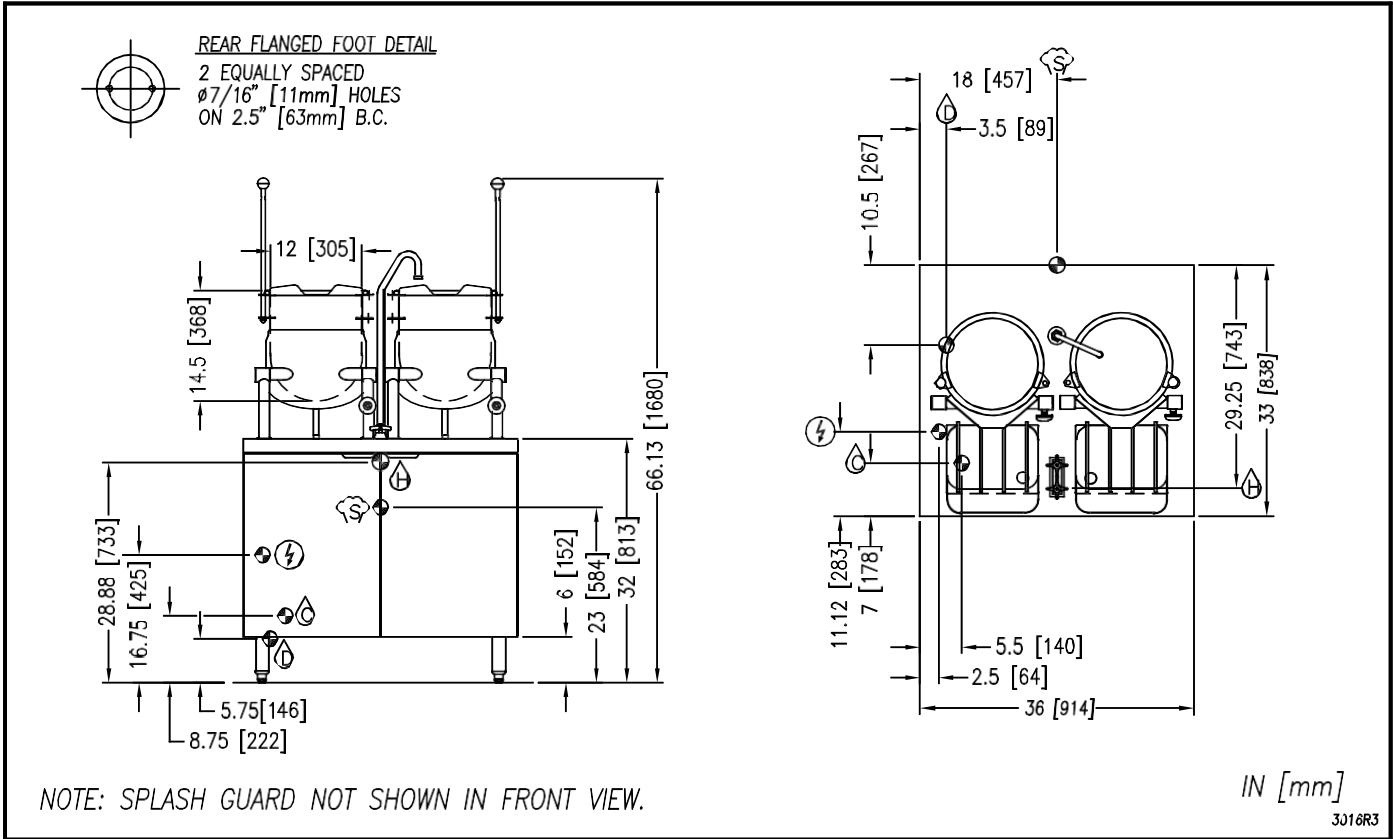
Total dissolved solids	Less than 60 PPM
Total alkalinity	Less than 20 PPM
Silica	Less than 13 PPM
Chlorine	Less than 1.5 PPM
pH Factor	7.0-8.5

Water which fails to meet these standards should be treated by installation of water conditioner.

FAILURE OR MALFUNCTION OF THIS APPLIANCE DUE TO POOR WATER QUALITY IS NOT COVERED UNDER WARRANTY.

ELECTRICAL CHARACTERISTICS

MODEL	AMPS PER LINE							
	kW	PHASE	208V	220V	240V	380V	415V	480V
TTEMT-6-6	24	3	66.6	63	57.7	36.5	33.4	28.9
	36	3	99.9	94.5	86.6	54.7	50.1	43.3
	42	3	116.6	110.2	101	63.8	58.4	50.5
	48	3	133.2	126	115.5	72.9	66.8	57.7



3316R3