



## GAS STATIONARY STEAM KETTLE



### SPECIFICATIONS:

Shall be a Therma-Tek Model \_\_\_\_\_,

gas fired, self-contained, fully insulated, steam jacketed kettle, ASME Code stamped, National Board Registered, AGA, CGA and NSF certified. The unit comes standard with a spring assisted cover. The kettle shall be constructed with an exterior of type 304 stainless steel, #4 sanitary finish and four 6" stainless steel adjustable legs. The interior kettle liner shall be a one piece welded construction made with type 304 stainless steel with #4 sanitary finish, 2/3 jacketed and shall be furnished with a 2" tangent draw off valve as standard. The recessed control panel is located on the front side of the unit in full view of the operator and is easy to use. Standard controls include electronic ignition, direct immersion thermostat, water sight glass, cooking light, pressure gauge, and low water indicator light. Safety features shall include a low water cut off, pressure relief valve, pressure switch and a gas shutoff valve.

A double wall kettle interior shall form a steam jacket around the lower 2/3 of the kettle. The bottom of the kettle shall be of hemispherical design for superior heat circulation.

Construction shall be all welded satin finish, stainless steel, type 304.

Convenience features shall include 2" (50 mm) sanitary draw-off valve with a heat resistant handle.

Model	Capacities	
	Gallons	Liters
TTGL-80	80	303
TTGL-100	100	380

### OPERATION SHALL BE BY:

- Natural Gas
- L.P. Gas

for operation 115 VAC 1 phase, 50/60 Hz, A.S.M.E. code stamped for operation up to 35 psi (241 kPa). The steam kettle temperature ranges shall be between 165°F to 265°F (74°C to 130°C). Burners shall be high efficiency stainless steel and serviceable.

### OPTIONS AT EXTRA COST:

- Type 316 stainless steel liner for high acid content products.
- 208-240 VAC operation (specify voltage)
- 3" (76 mm) draw-off valve (TVS-3).
- 2" (50 mm) dairy draw-off valve (DDO-2S).
- 3" (76 mm) dairy draw-off valve (DDO-3S).
- Etched gallon markings (GM-).
- Etched liter markings (LM-).
- Correctional package.

### ACCESSORIES:

- Single pantry faucet with swing spout (SF-12).
- Double pantry faucet with swing spout (DF-12).
- Triple basket assembly (TBA-).
- Perforated strainer for draw-off valve (TPS-).
- Solid disc for draw-off valve (TSS-).
- Graduated measuring strip (CMS-).
- Strainer hook (SH-).
- Draw-off valve hose kit (DVHK-2).
- Faucet Bracket.
- Casters.

### SERVICE CONNECTIONS

- 🔥 - 3/4" shut-off valve must be installed in supply piping convenient and adjacent
- ⚡ - Supply gas through pipe A gas Wire Electrical Connection to be 120 Volts, 60 Hertz single phase with grounding and 3 prong plug. Total max. amps 2.0.

Unless other wise specified, Field wire. Unit furnished with 6' cord

### GAS SUPPLY

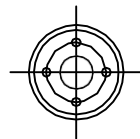
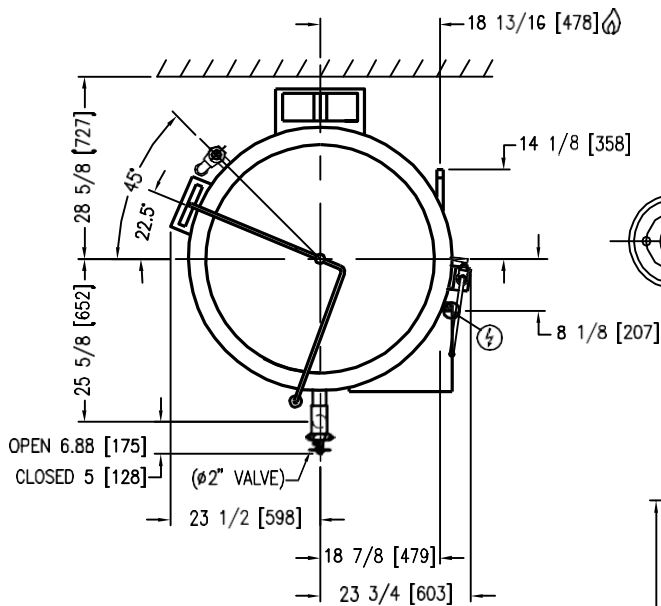
MODEL	SUPPLY PRESSURES (W.C.)		BTU/HR.	KW/HR.
TTGL-80/100	Natural 6"-14" (152-355mm)	Propane 11"-14" (279-355mm)	150,000	44.0

MODEL	SHIPPING WT.	MIN. CLEARANCE*	
TTGL-80			
TTGL-100			

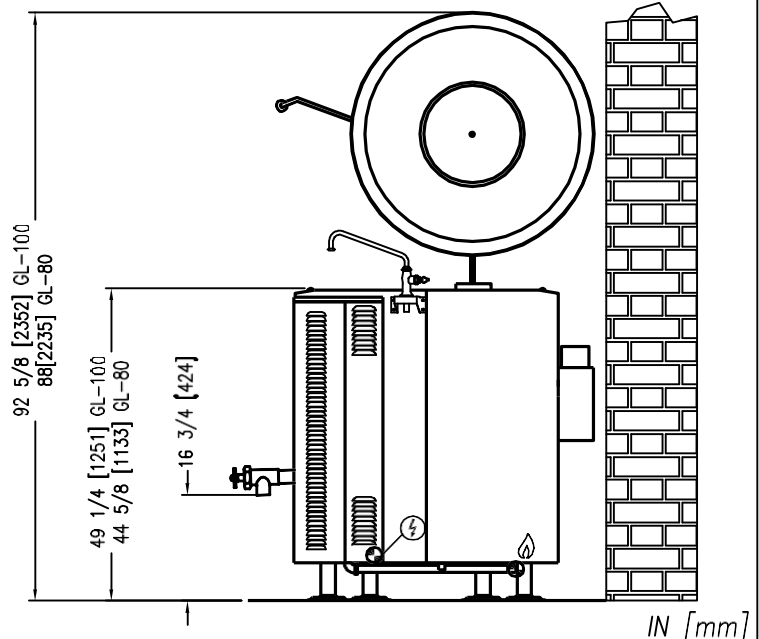
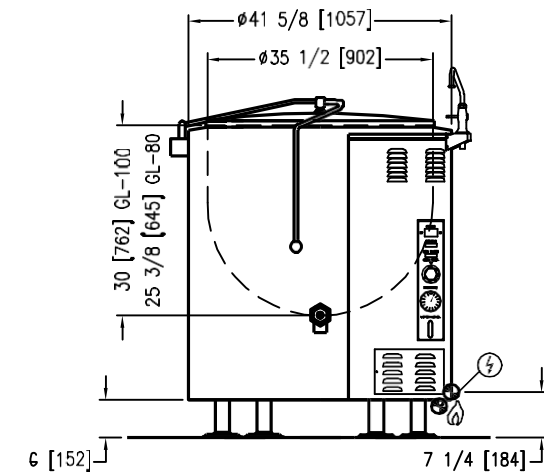
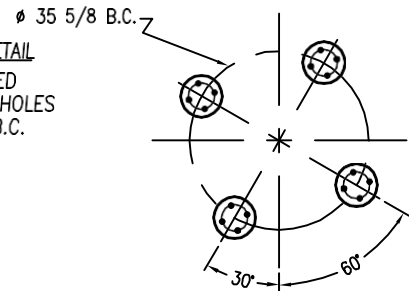
950 lbs. [430 kg] SIDES 6 [152]  
1100 lbs. [498 kg] BACK 2 [51]

\* Use on non-combustible floors only.

Shown with optional faucet.



**FLANGED FEET DETAIL**  
4 EQUALLY SPACED  
Ø 7/16" [11mm] HOLES  
ON 3" [76mm] B.C.



IN [mm]

8830R4