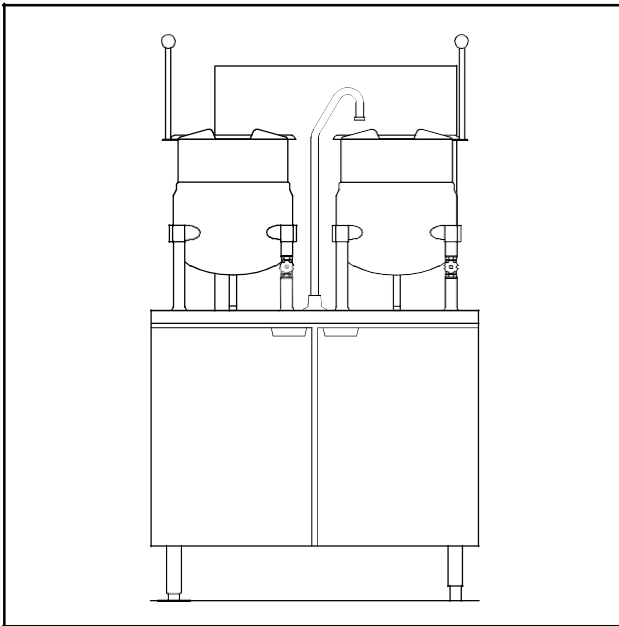




TWO 6 GAL. TRUNNION KETTLES MOUNTED ON CABINET WITH GAS FIRED STEAM BOILER



Model	Capacity	
TTGMT-6-6	2 x 6 GALLON	2 x 23 LITER

OPERATION SHALL BE BY:

Gas operated 15 psi (103 kPa) steam boiler operating on 115 VAC, 1 phase, 50/60 Hz rated at 140,000 BTU.

- Natural gas
- L.P. gas

OPTIONAL ITEMS AT EXTRA COST:

- ✓ 208-240 VAC specify voltage
- ✓ 200,000 BTU boiler
- ✓ 250,000 BTU boiler
- ✓ 300,000 BTU boiler
- ✓ Electronic ignition
- ✓ California code
- ✓ CSD-1
- ✓ Automatic blow-down
- ✓ Split water lines (boiler feed and condensate)
- ✓ Etched gallon markings
- ✓ Etched liter markings
- ✓ Correctional package

ACCESSORIES:

- One piece stainless steel lift off cover
- Lift-out stainless steel basket strainer
- Graduated measuring strip
- Steam take off kit
- De-lime kit DPA-1(not available with CSD-1)

SPECIFICATIONS:

Shall be a Therma-Tek Model TTGMT-6-6, consisting of two direct connected steam, tilting kettles, 6 gallon (23 liter). A double wall kettle interior shall form a steam jacket around the lower 2/3 of the kettle. The bottom of the kettle shall be of hemispherical design for superior heat circulation. The liner shall be of 316 stainless steel for high acid content products. The stainless steel mounting legs shall have the steam supply and condensate within the legs and the right leg fitted with a steam control valve for the kettle. Each kettle shall be fitted with a tilt handle and heat proof knob, allowing the kettles to be tilted forward 90 for complete emptying.

The kettles mounted on a cabinet base with full perimeter angle frame, reinforced counter, hot and cold water faucet with control valves, 5" (152 mm) deep sinks with drain and splash guard grates, boiler mountings, gas boiler with controls, hinged doors with magnetic catches, removable side panels and 6" (152 mm) stainless steel legs fitted with adjustable bullet feet on front and flanged adjustable feet on rear for securing to the floor, all #4 stainless steel exterior. Steam manifold canceled within cabinet fitted with steam trap and safety relief valve.



SERVICE CONNECTIONS

- ⚡ - ELECTRICAL CONNECTION: 1/2" conduit connection to controls. 120 Volts single phase with grounding wire required unless otherwise specified.
- Ⓛ - DRAIN: 2"IPS piped to open floor drain. No Solid Connection.
- 💧 - COLD WATER: 3/8" O.D. tubing at 25–50 PSI (170–345 kPa). (140,000 BTU BOILER)
- ⚡ - GAS CONNECTION: 3/4"IPS supply line required.
- Ⓢ - STEAM TAKE-OFF CONNECTION: 3/4"IPS optional to operate adjacent equipment.

WATER QUALITY STATEMENT

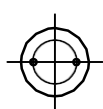
WATER QUALITY IS THE MAJOR FACTOR AFFECTING THE PERFORMANCE OF YOUR APPLIANCE. IF YOU ARE UNSURE OF WATER QUALITY, CONSULT A LOCAL WATER TREATMENT SPECIALIST AND HAVE THE WATER ANALYZED. YOUR WATER SUPPLY MUST BE WITHIN THESE GENERAL GUIDE LINES:

TOTAL DISSOLVED SOLIDS	LESS THAN 60 PPM
TOTAL ALKALINITY	LESS THAN 20 PPM
SILICA	LESS THAN 13 PPM
CHLORINE	LESS THAN 1.5 PPM
pH FACTOR	7.0–8.5

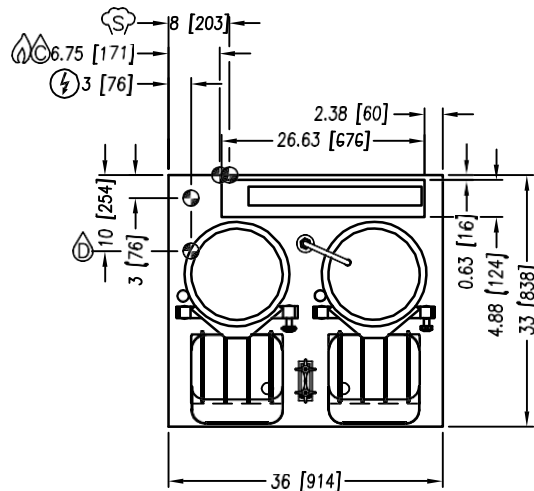
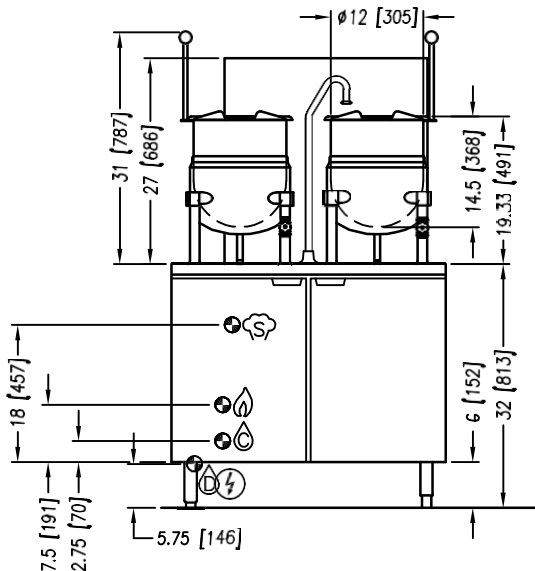
WATER WHICH FAILS TO MEET THESE STANDARDS SHOULD BE TREATED BY INSTALLATION OF A WATER CONDITIONER.

FAILURE OR MALFUNCTION OF THIS APPLIANCE DUE TO POOR WATER QUALITY IS NOT COVERED UNDER WARRANTY.

MODEL	BOILER INPUT	
	BTU/HOUR	KW/HOUR
TTGMT-6-6	140,000	41.0
	200,000	58.6
	250,000	73.3
	300,000	87.9



REAR FLANGED FOOT DETAIL
2 EQUALLY SPACED
Ø 7/16" [11mm] HOLES
ON 2.5" [63mm] B.C.



NOTE: SPLASH GUARD NOT SHOWN ON FRONT VIEW.

IN [mm]

2674R2